

# PRINCE OF WALES DRIVE

BATTERSEA · LONDON SW11

## UTILITY CUPBOARD USER MANUAL



**CILANTRO**

MEP ENGINEERING CONTRACTORS

# Table of Contents

<b>1.0 – UTILITY CUPBOARD GUIDE .....</b>	<b>1</b>
1.1 - Introduction .....	2
1.2 - Section 1 .....	3
1.3 - Section 2 .....	4
1.4 - Section 3 .....	5

## 1.1 Introduction

---

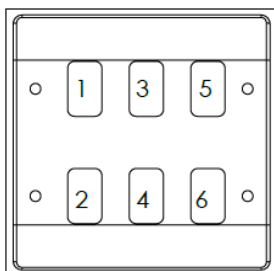
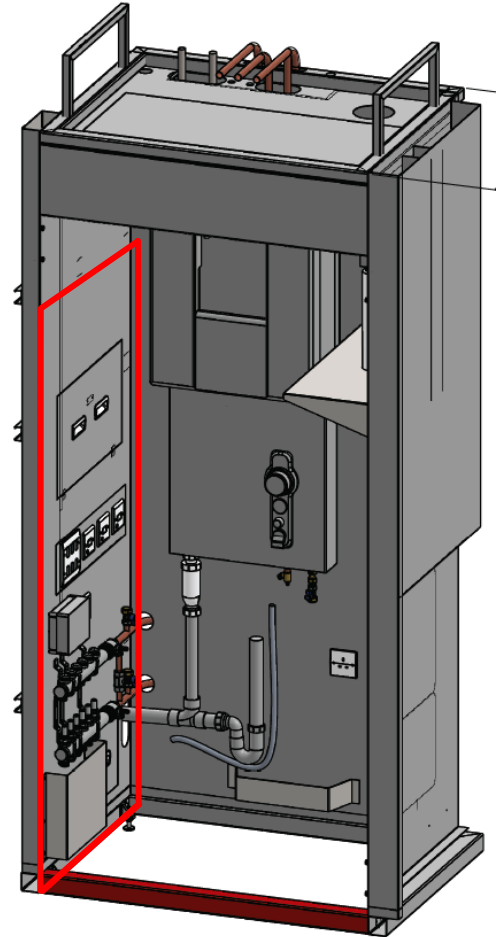
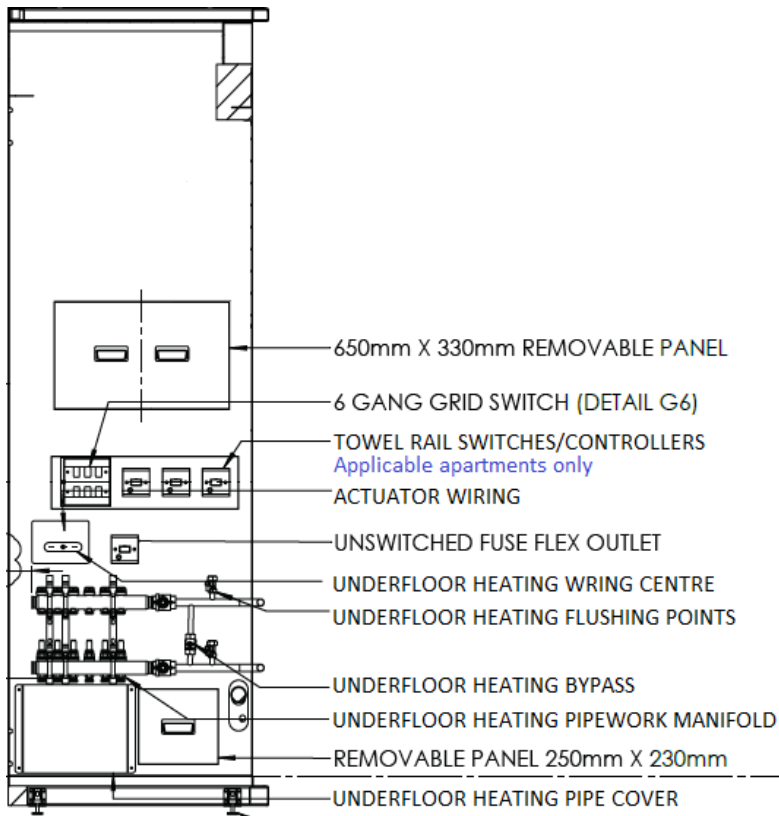
The utility cupboard houses most of the main equipment providing services throughout the home. This guide has been designed to identify the items contained within.

The following key points should be noted:

- There are two different utility cupboard layout designs within the Prince of Wales drive development (left hand side & right hand side). Certain item quantities and locations will differ per apartment type.
- Heating & Hot Water are provided by a Heat Interface Unit (HIU). Please refer to the heating & domestic water guide for a full breakdown of how this works.
- Heating water from the HIU is distributed throughout the home by an Underfloor Heating (UFH) system. Please refer to the Heating & domestic water guide for a full breakdown of how this works.
- The ventilation unit (MEV) is located behind a separate hatch in the ceiling (not within the utility cupboard). Please refer to the ventilation guide for a full breakdown of this system.

## 1.2 Section 1

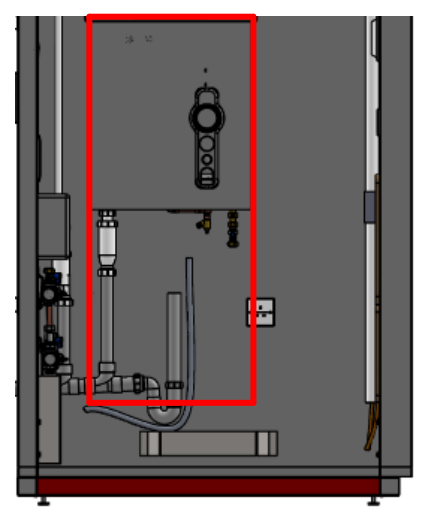
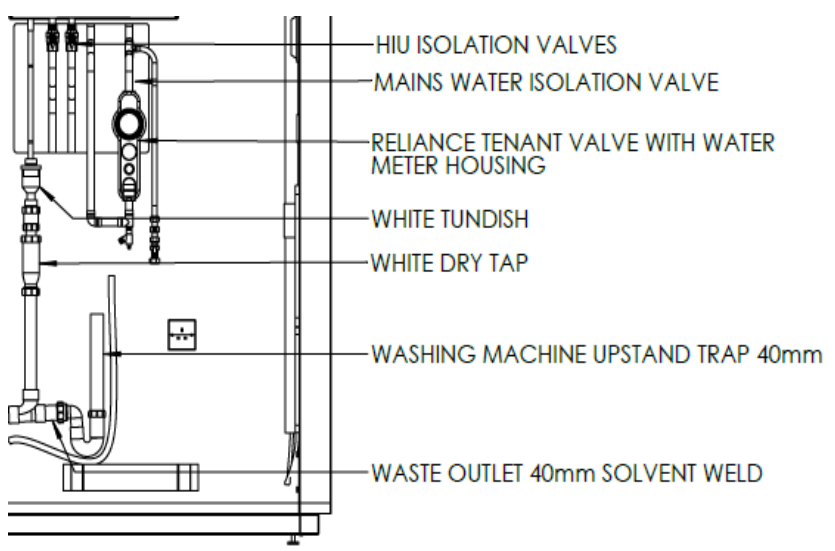
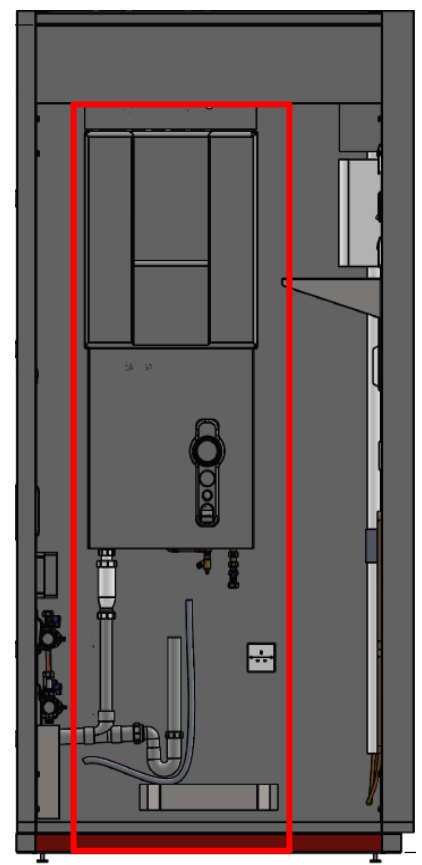
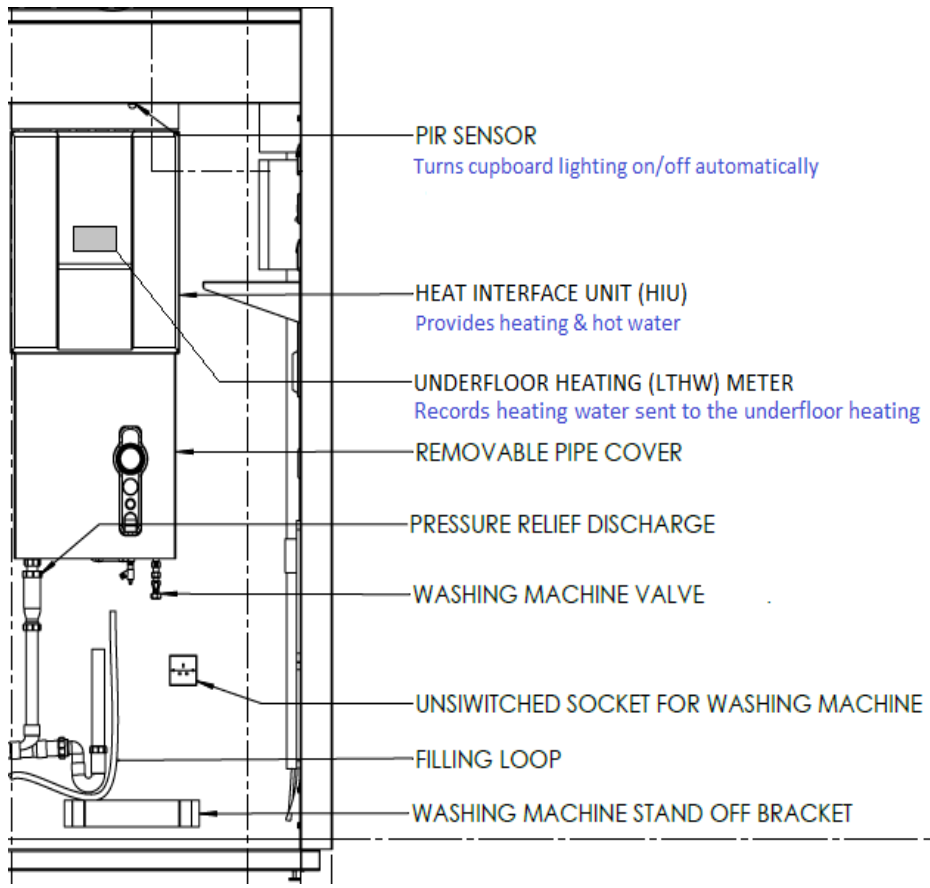
---



- 1 - HEATING CONTROL SWITCH
- 2 - HEATING CONTROL FUSE
- 3 - MEV SWITCH
- 4 - MEV FUSE
- 5 - WASHING MACHINE SWITCH
- 6 - SPARE

DETAIL G6

# 1.3 Section 2



# 1.4 Section 3

